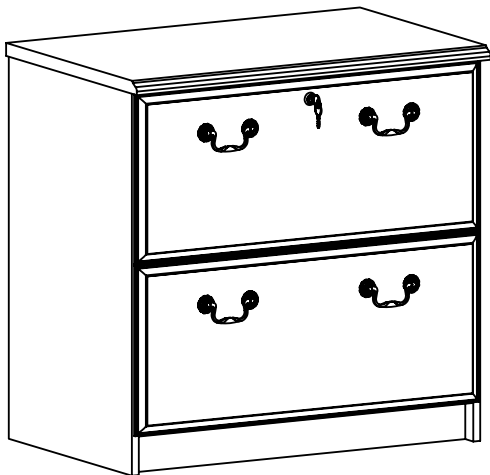


ASSEMBLY INSTRUCTIONS

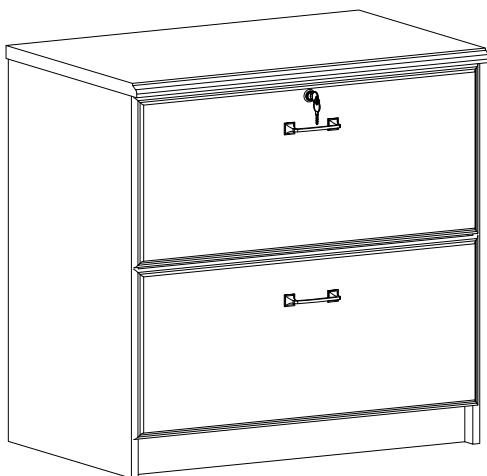
ITEM#: YH4101/YH4112/YH4125

Important Safety Instructions:

- Please read all instructions before beginning assembly
- Please make sure receive all the parcels to start the assembly
- For your safety and convenience, assembly by two people is recommended
- Use the parts and hardware lists to identify and separate each of the components included
- Save all packing materials until assembly is completed to avoid the accidental discarding of smaller parts or hardware



YH4112



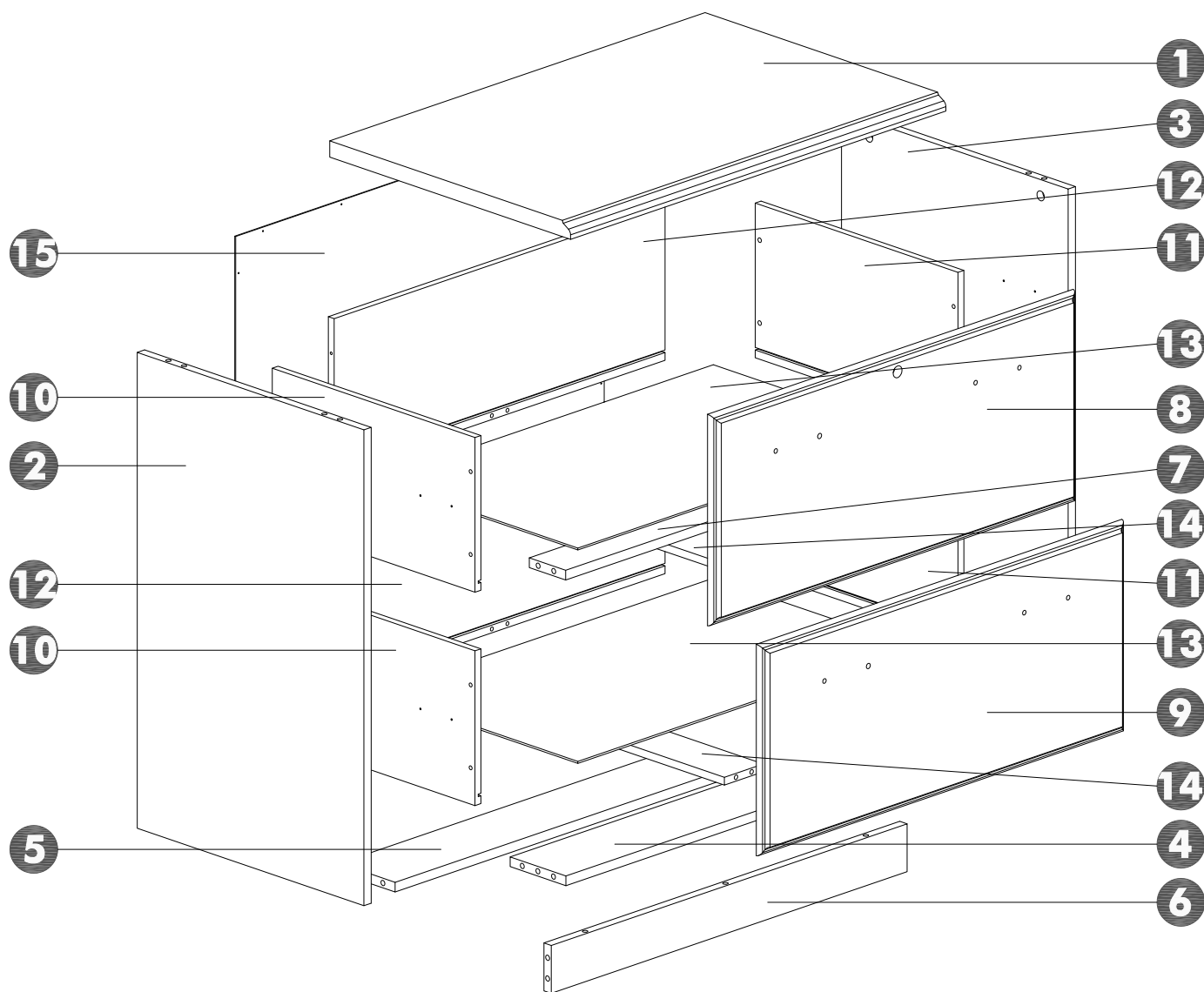
YH4101
YH4125



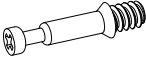

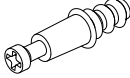


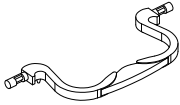
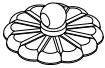


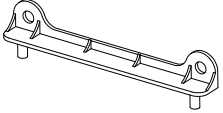
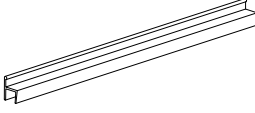
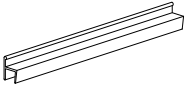

THANK YOU FOR PURCHASING

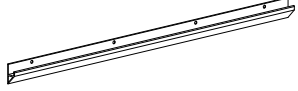
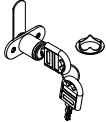

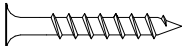
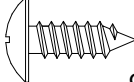
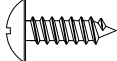

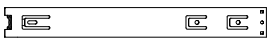
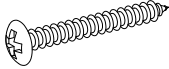

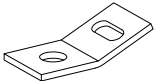
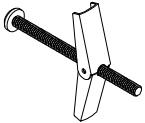

PARTS LIST

① X1	② X1	③ X1	④ X1	⑤ X1
⑥ X1	⑦ X1	⑧ X1	⑨ X1	⑩ X2
⑪ X2	⑫ X2	⑬ X2	⑭ X2	⑮ X1

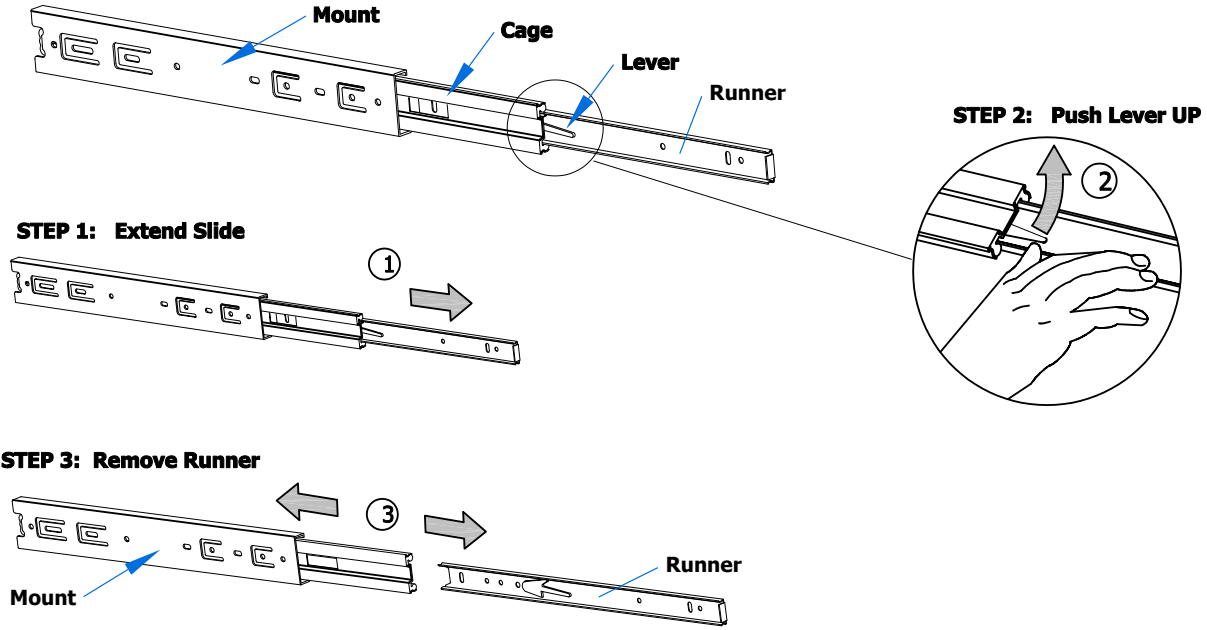


HARDWARE LIST

Name	Part	Qty.	Spare		
A		10	1		
B		10	1		
C		4	1		
D		4	1		
E		21	1		
F	Y H 4		4		
G	1				8
R	1 2				
F	Y H 4 1	Y H 4		2	
R	0 1	2 5			 3/4" Bolt
H		4			
I		2			
J		4			
K		4			

Name	Part	Qty.	Spare
L		2	
M		1	
N	 9/16" Screw	2	
O	 1-1/2" Screw	12	
P	 9/16" Screw	8	
Q	 1/2" Screw	40	3
S	 3/4" Nail	17	2
T	 16" Slide	4	
U1		1	
U2		1	
U3		2	
U4		1	
U5		1	

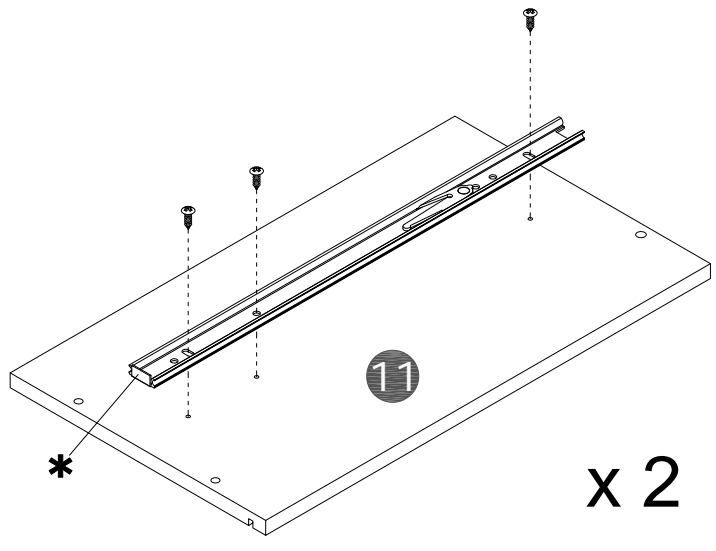
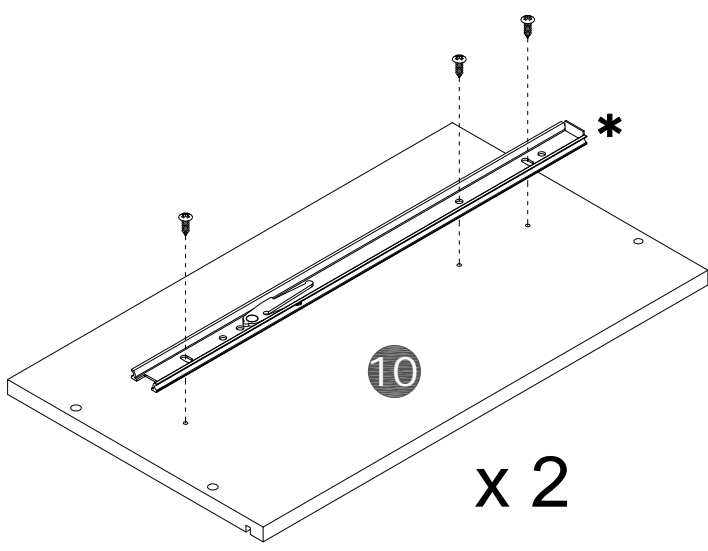
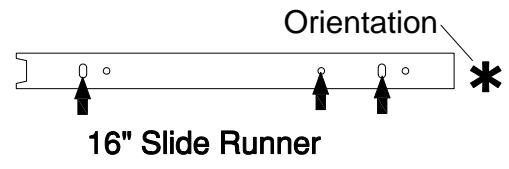
**Slides Must Be Separated Before Assembly.
After Separated, Set Aside Until Needed for Assembly.**



STEP 1

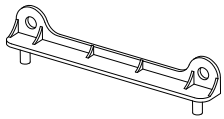
⊙ x 12pcs 

⊓ x 4pcs

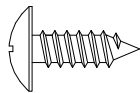


STEP 2

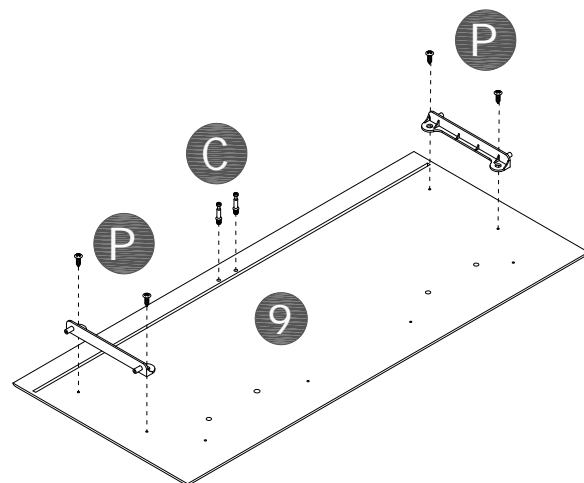
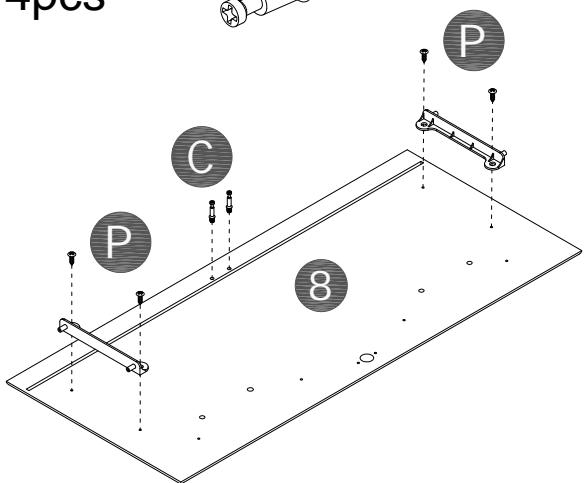
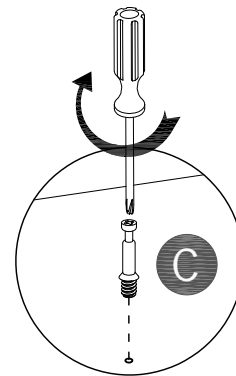
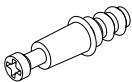
H x 4pcs



P x 8pcs

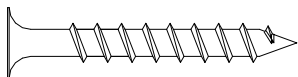


C x 4pcs

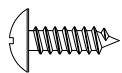


STEP 3

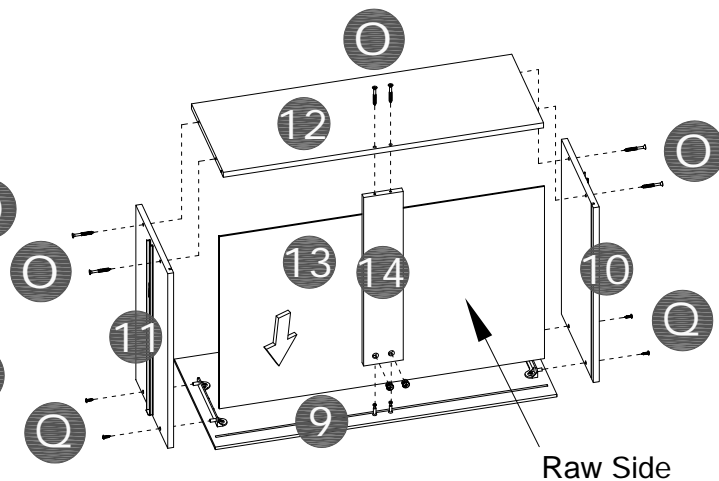
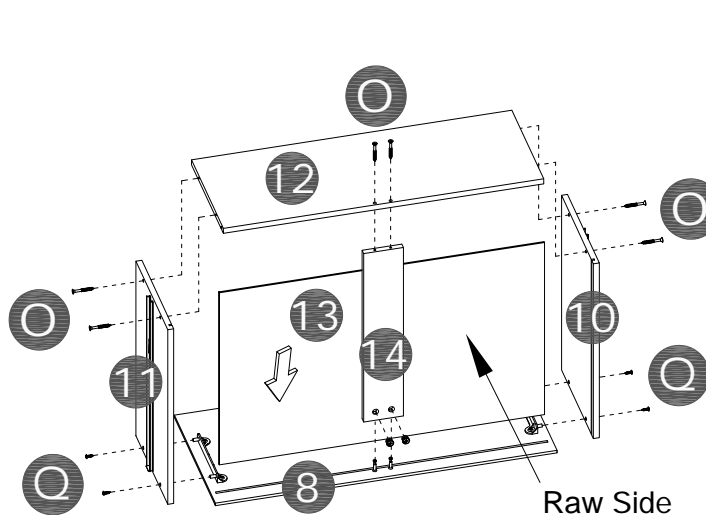
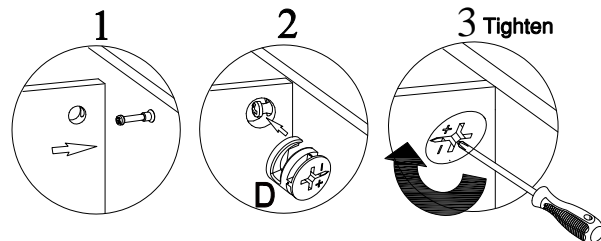
O x 12pcs



Q x 8pcs



D x 4pcs

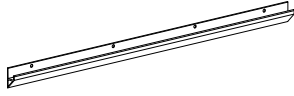


Raw Side

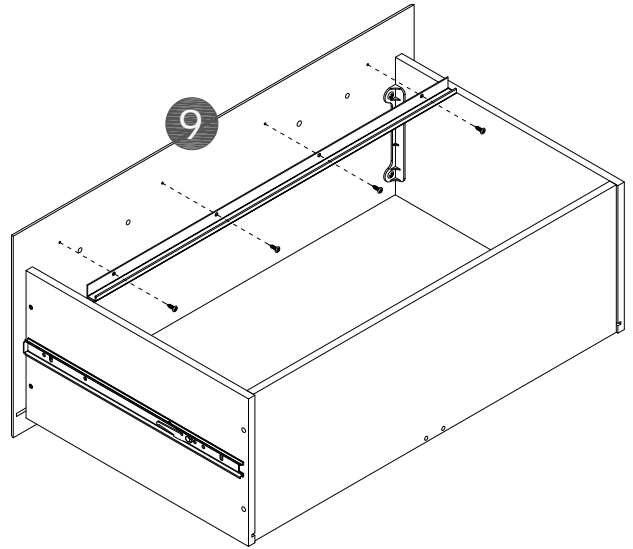
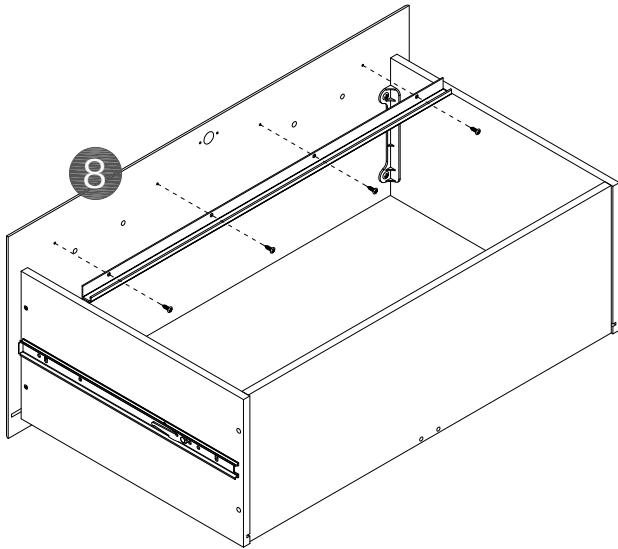
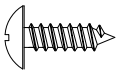
Raw Side

STEP 4

L x 2pcs

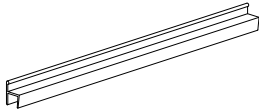


O x 8pcs



STEP 5

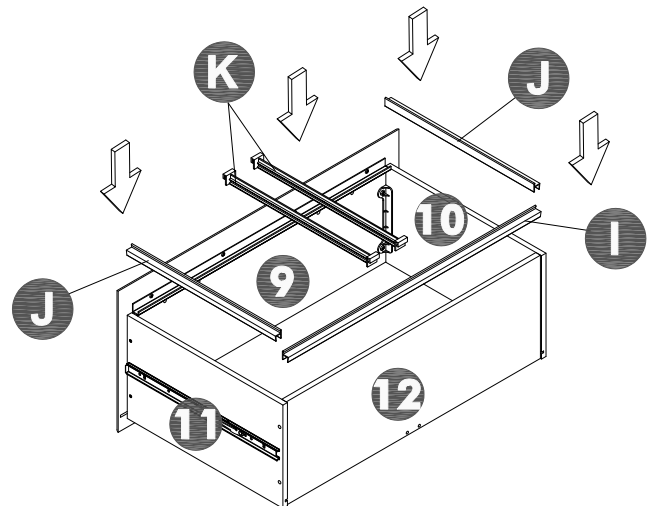
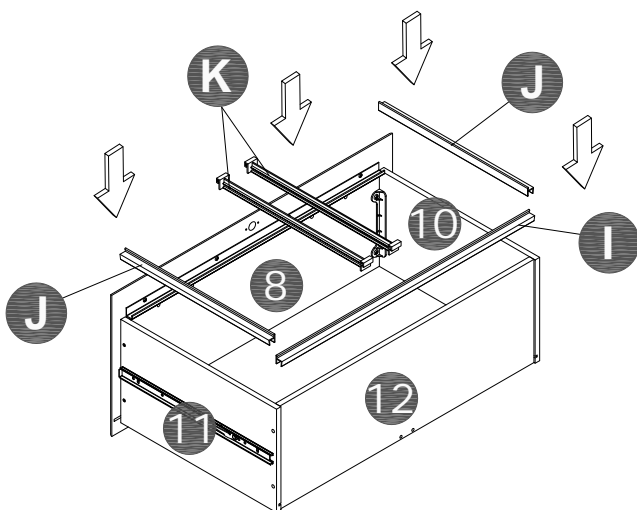
I x2pcs



K x4pcs

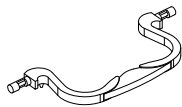


J x4pcs

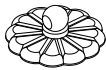


STEP 6

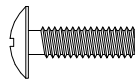
F x 4pcs



G x 8pcs



R x 8pcs

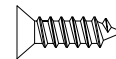


Y
H
4
1
1
2

M x 1pc



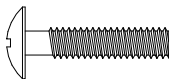
N x 2pcs



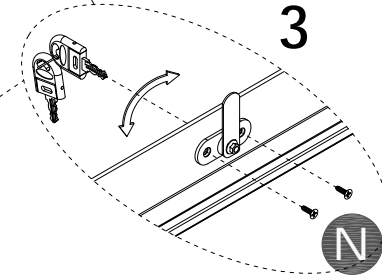
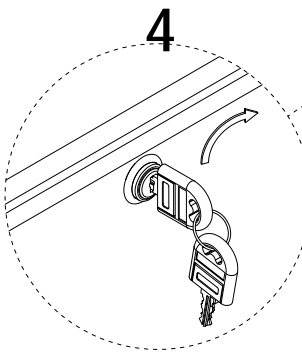
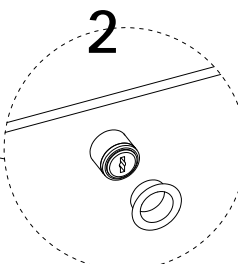
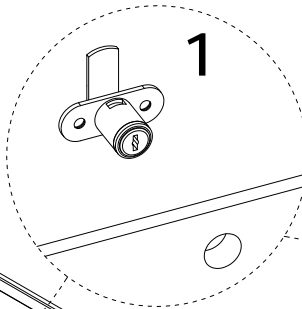
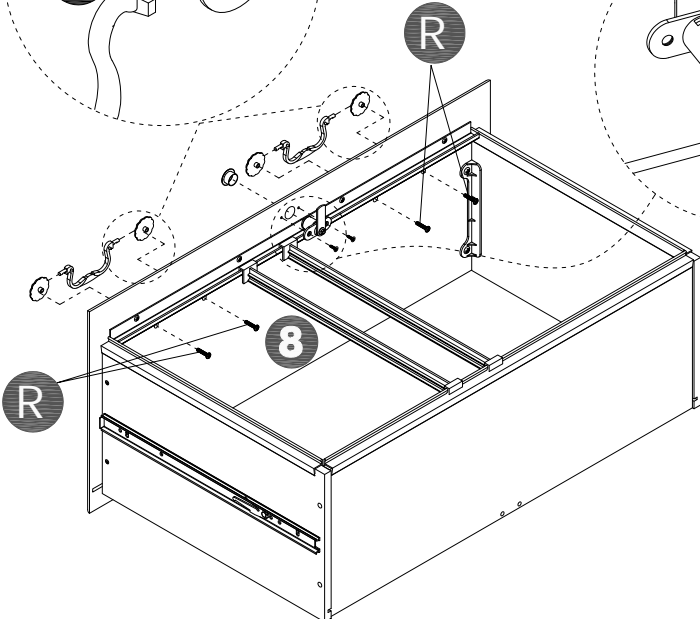
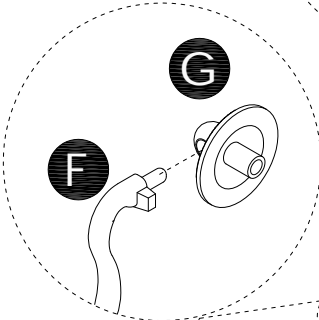
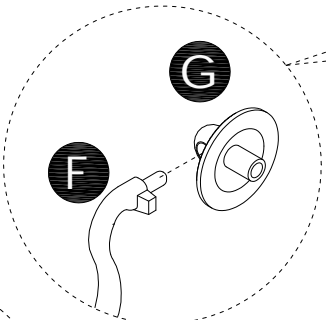
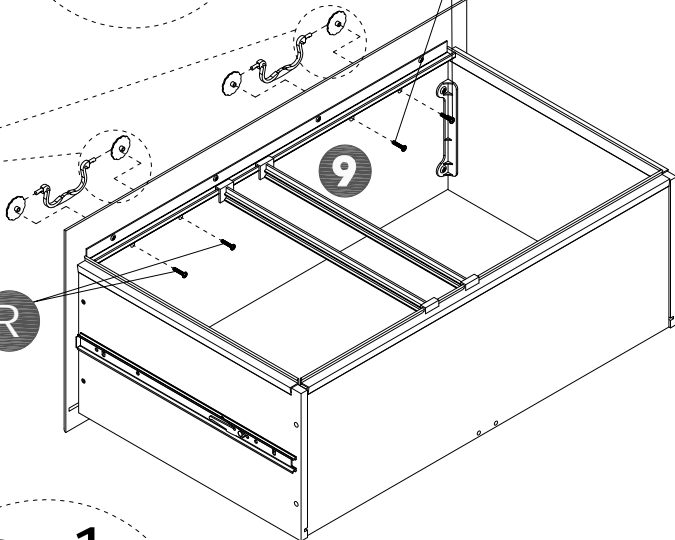
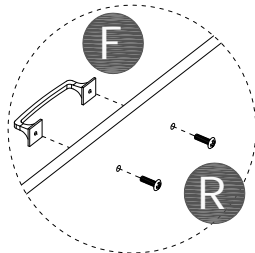
F x 2pcs



R x 4pcs

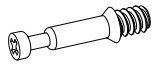


Y	Y
H	H
4	4
1	1
0	2
1	5



STEP 7

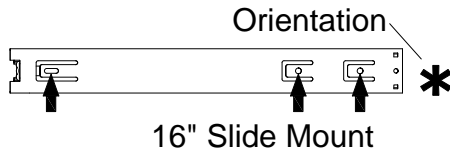
A x 10pcs



E x 21pcs

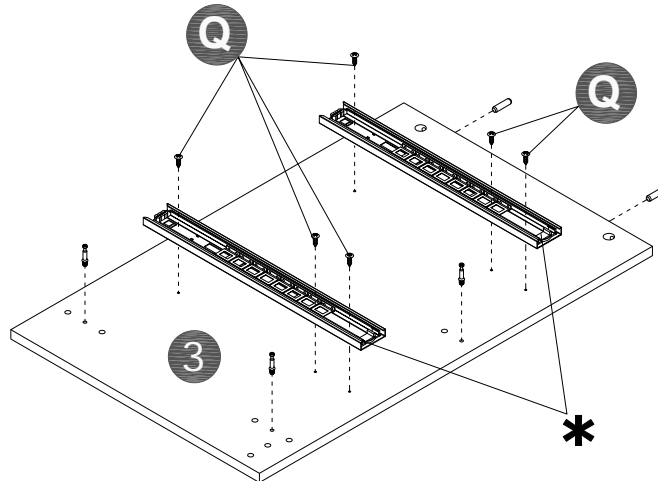
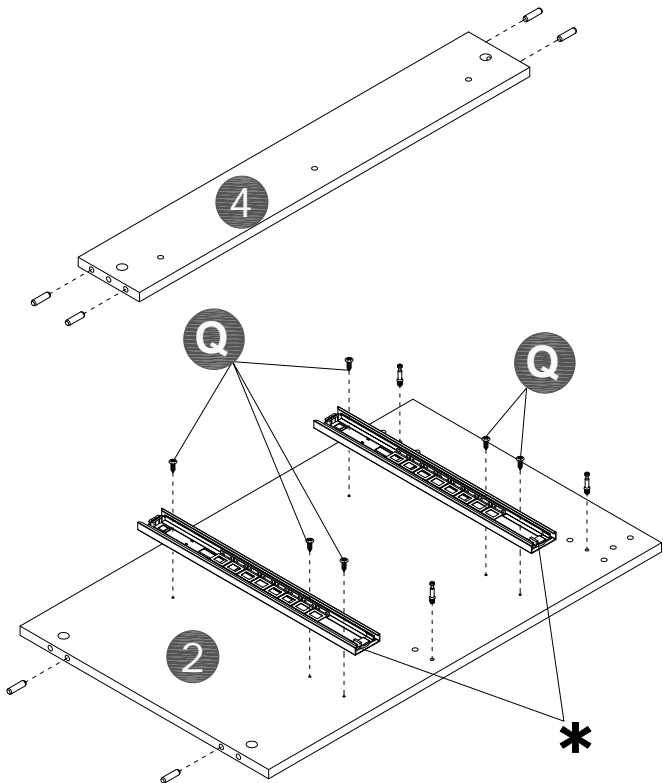
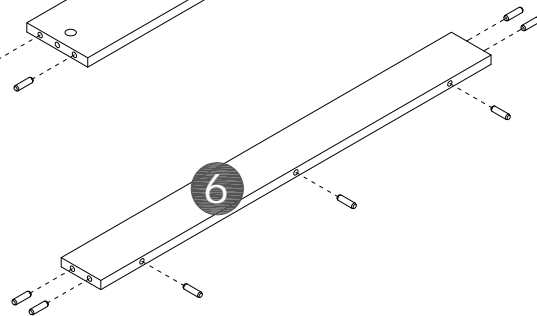
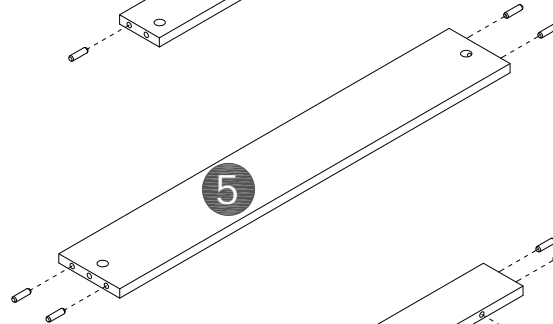
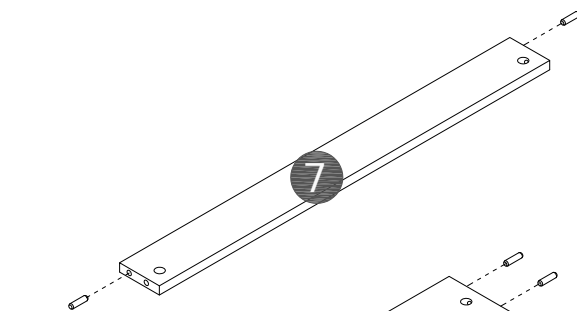
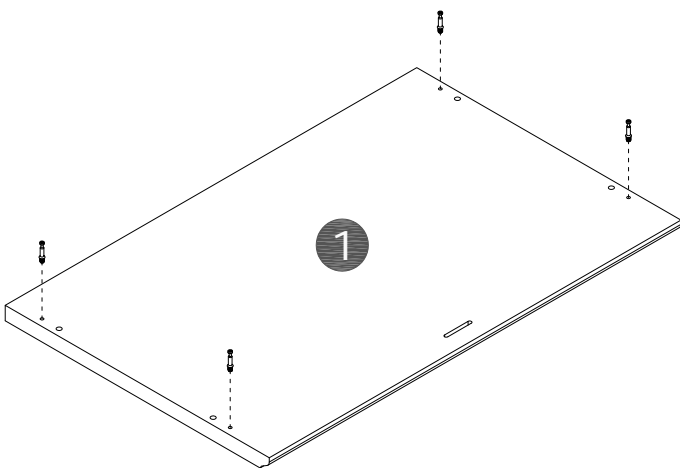
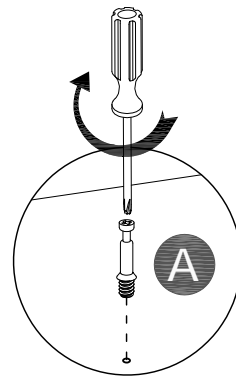
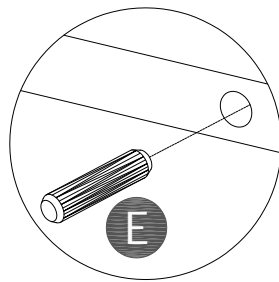
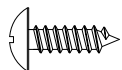


T x 4pcs

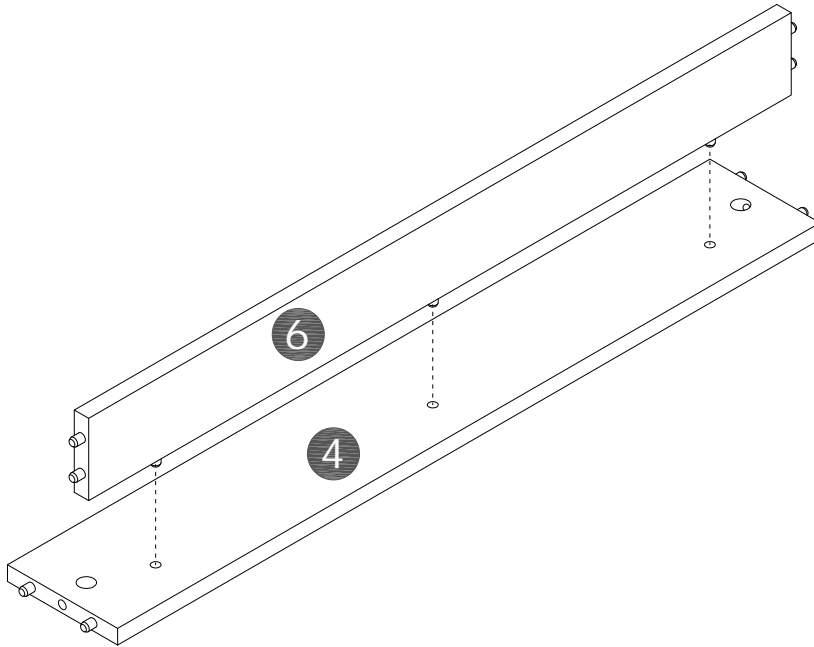


16" Slide Mount

Q x 12pcs

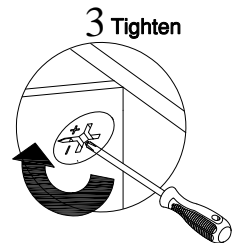
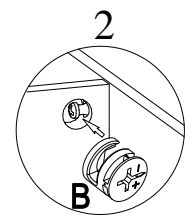
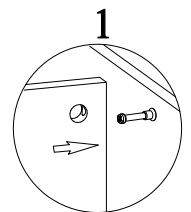
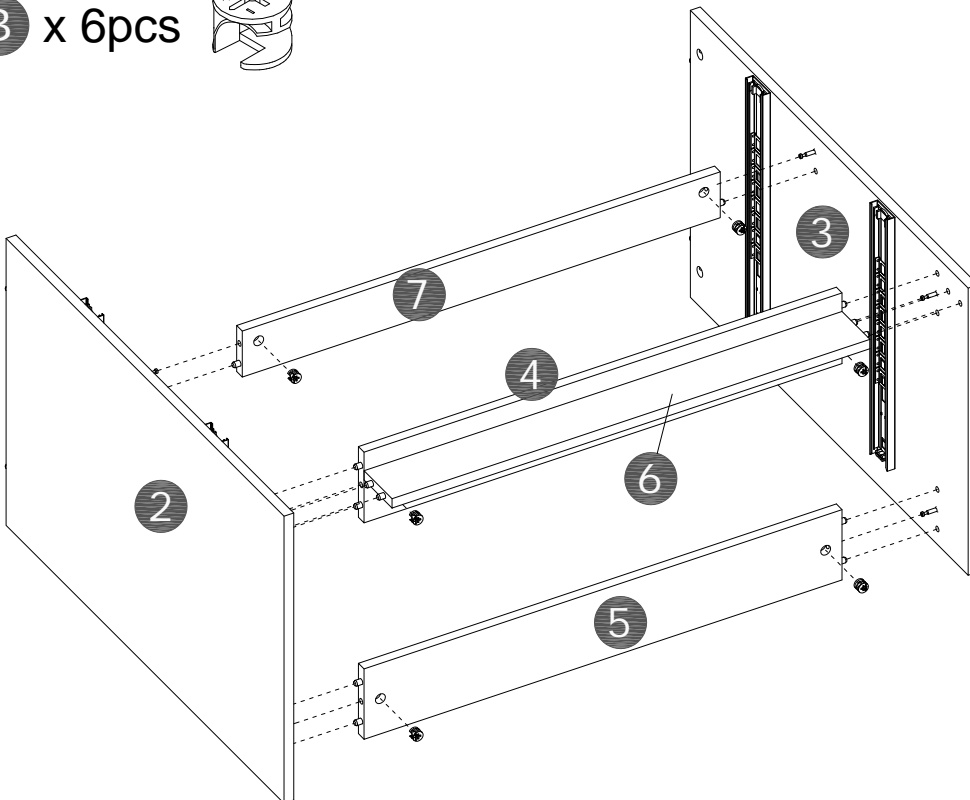
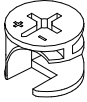


STEP 8



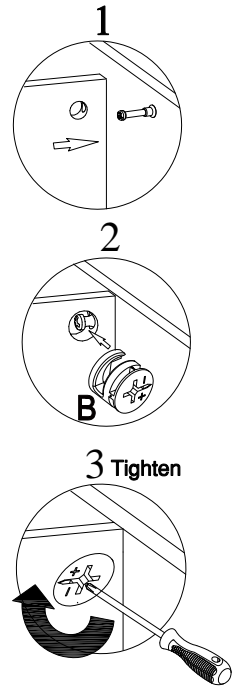
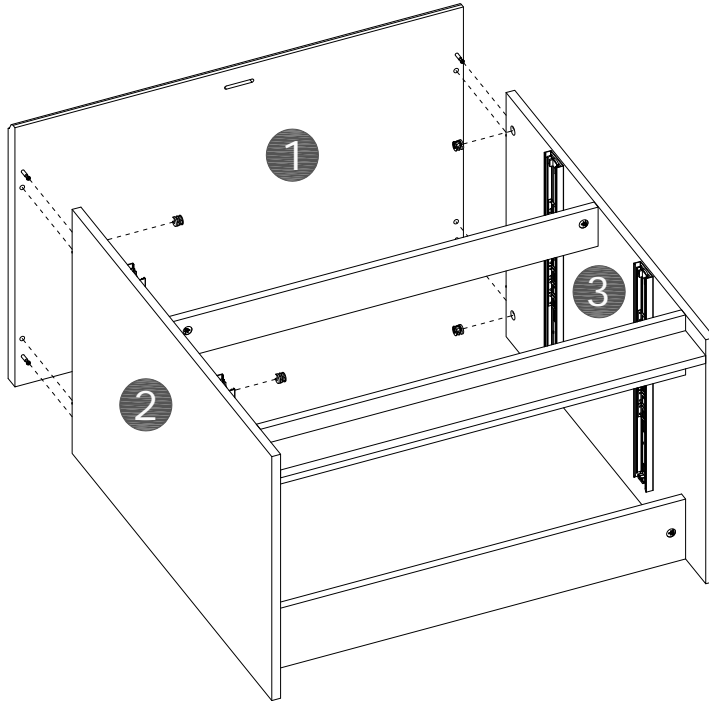
STEP 9

B x 6pcs



STEP 10

B x 4pcs

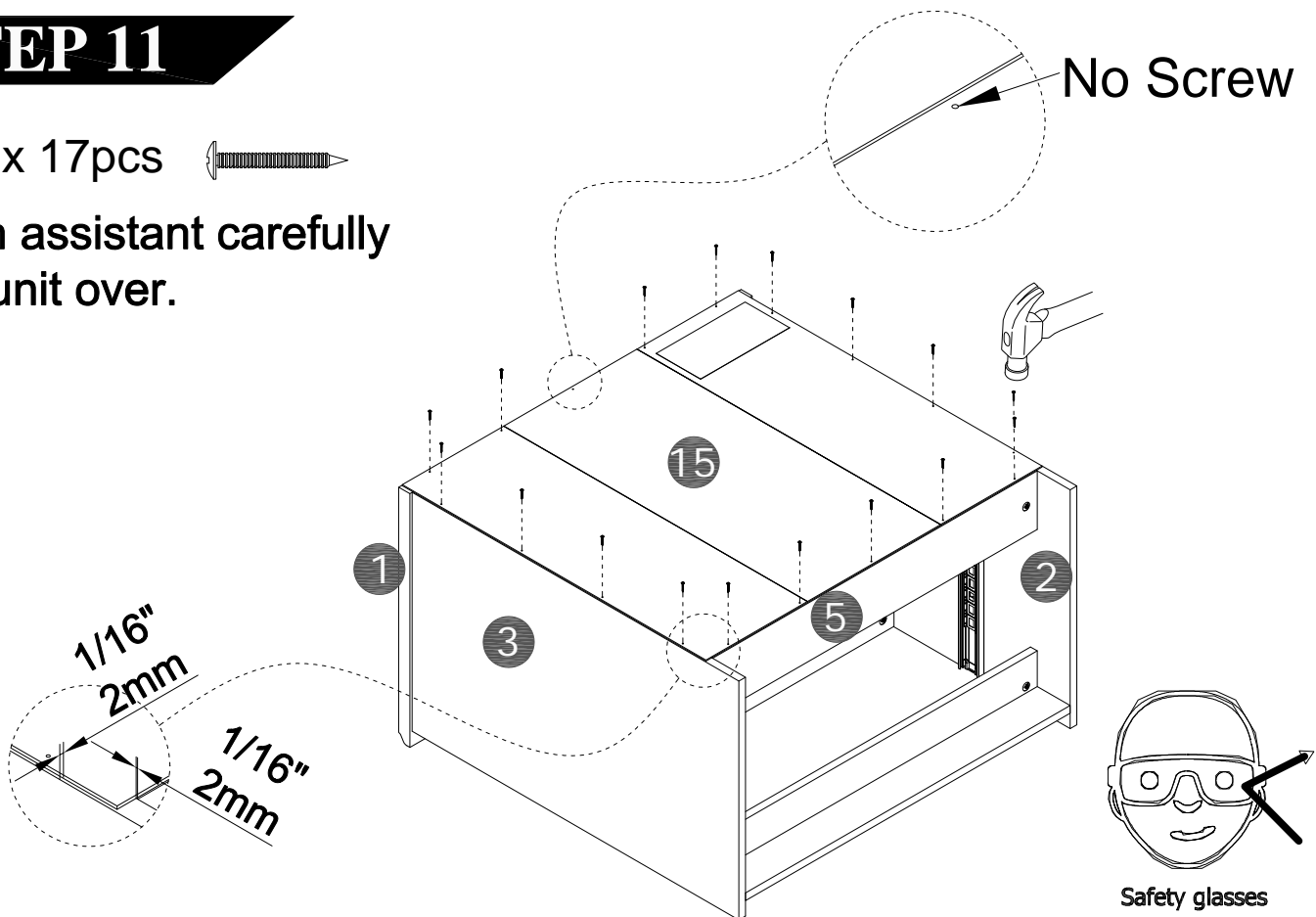


STEP 11

S x 17pcs



With assistant carefully flip unit over.



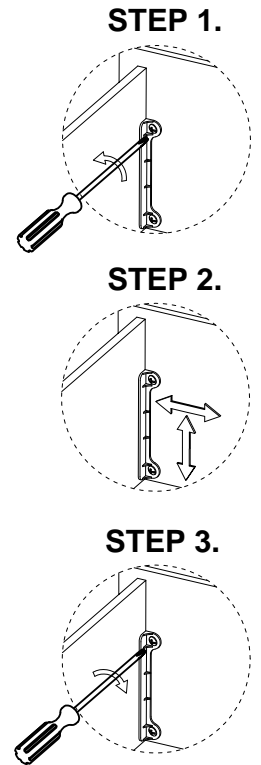
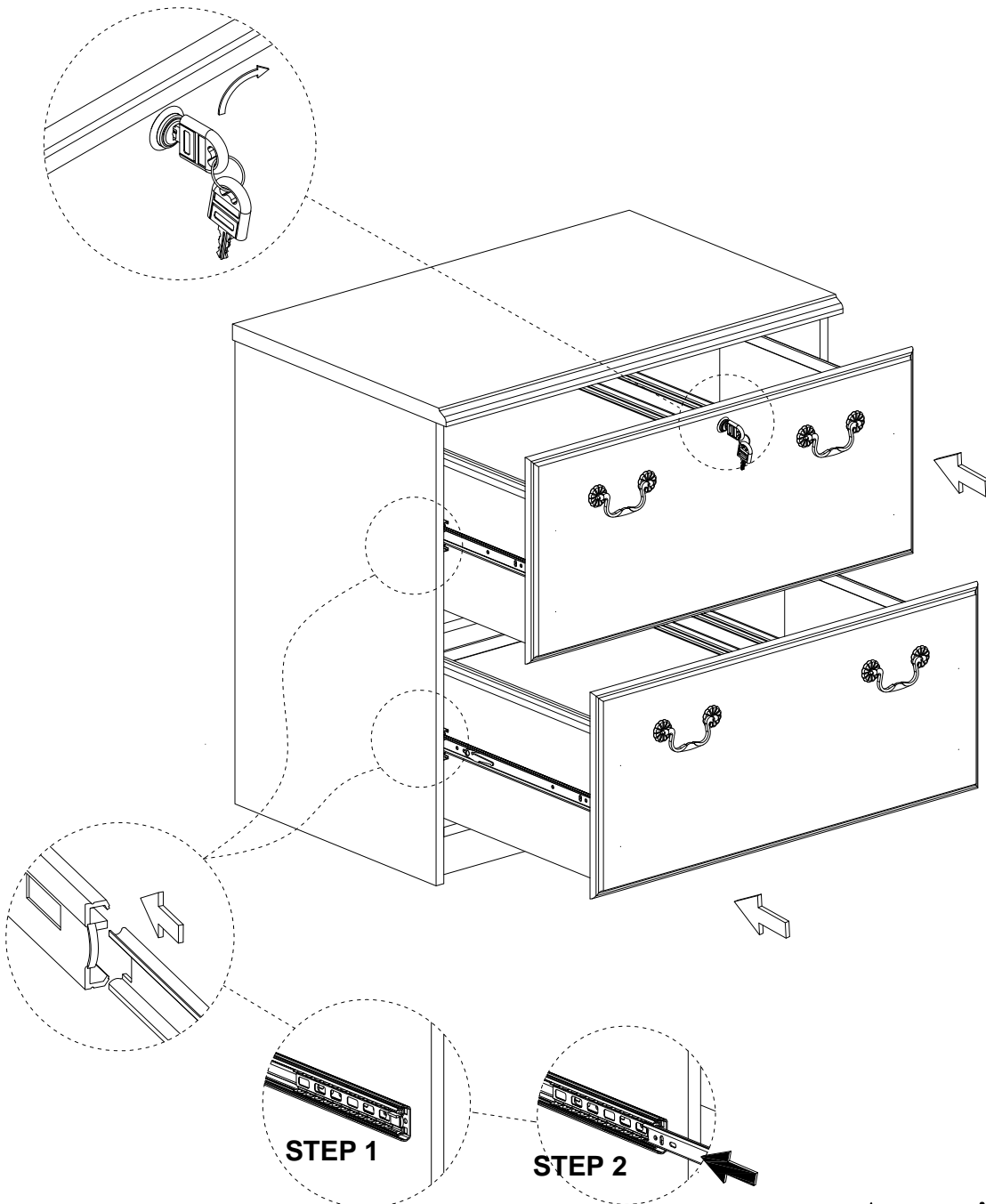
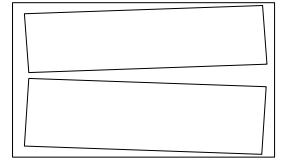
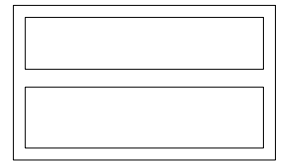
STEP 12

- Move unit to final location.
- Adjust drawer fronts as shown below.

- Step1--Loosen screws on back of drawer front brackets as shown.
- Step2--Position drawer front as required.
- Step3--Tighten screws while holding drawer front in position.

With assistant carefully stand unit up.

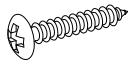
DRAWER FRONT VIEW



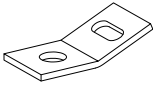
An assistant is required.

STEP 13

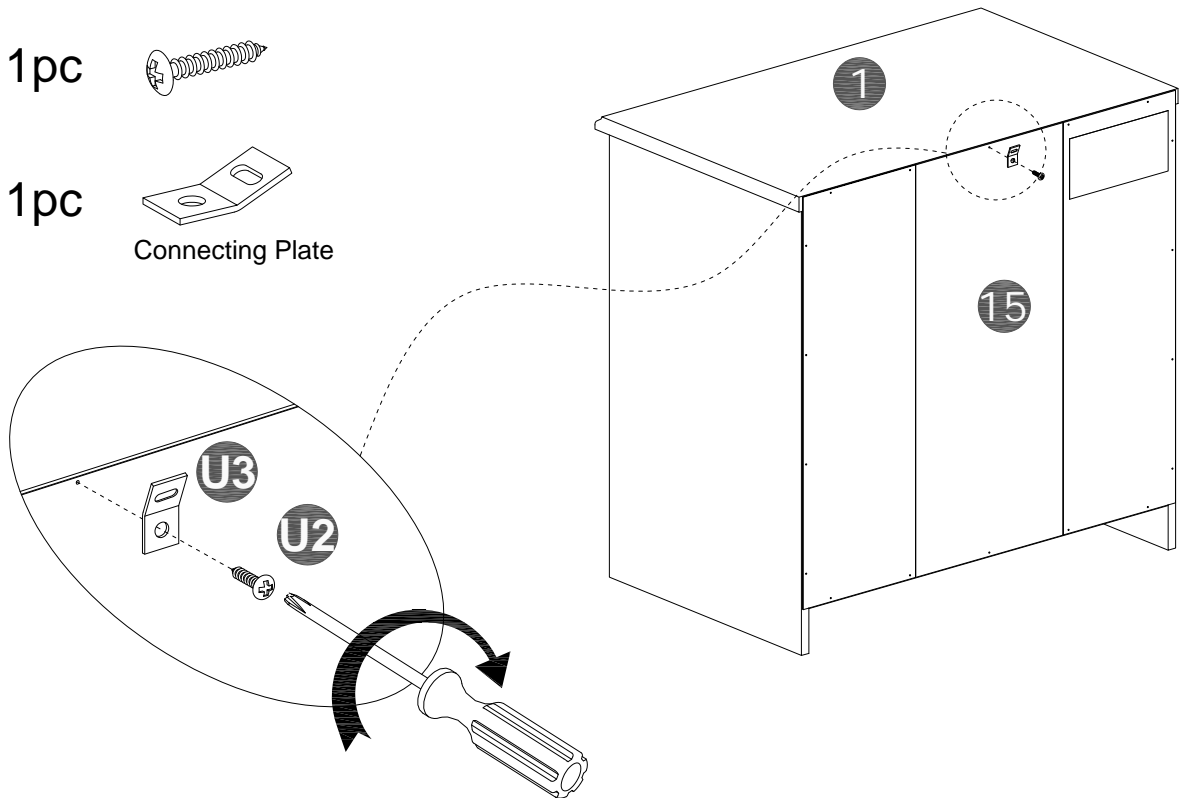
U2 x 1pc



U3 x 1pc

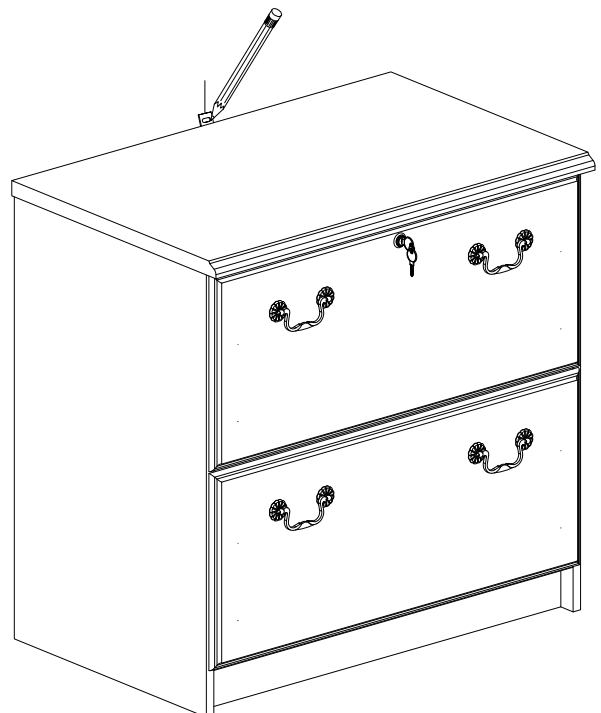
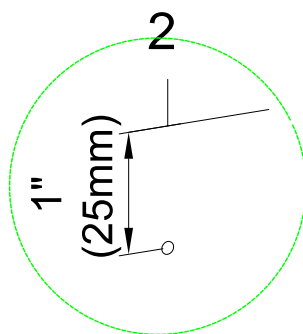
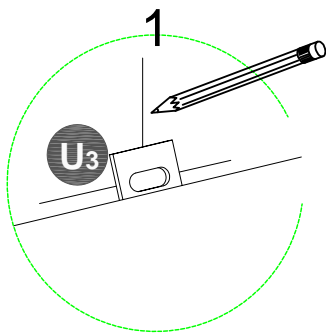


Connecting Plate



STEP 14

1. Place unit in desired location.
2. Locate wall stud nearest unit center.
3. On wall, mark center of stud location 1" below top of unit.
4. If a wall stud cannot be located mark hollow wall at unit center.



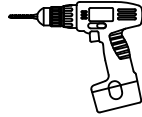
STEP 15

WALL STUD ATTACHMENT

U₁ x1pcs



2" Screw



Drill 1/8" hole 2" deep at mark on wall.

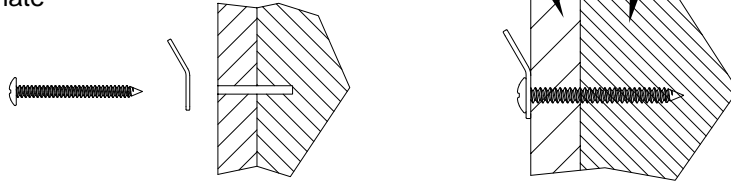
U₃ x1pcs



Connecting Plate

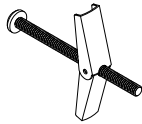
Drywall
Paneles de yeso
cloisons sèches

Wood stud
Montante de madera
Stud bois

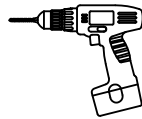


HOLLOW WALL ATTACHMENT

U₄ x1pcs



Toggle Bolt

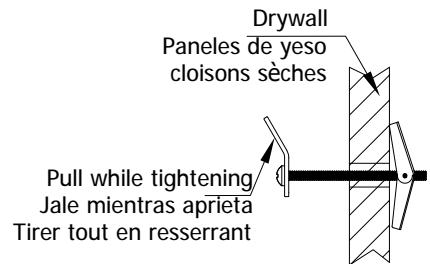
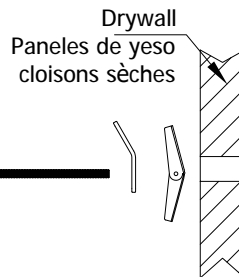


Drill 1/2" hole 1" deep at mark on wall.

U₃ x1pcs



Connecting Plate



STEP 16

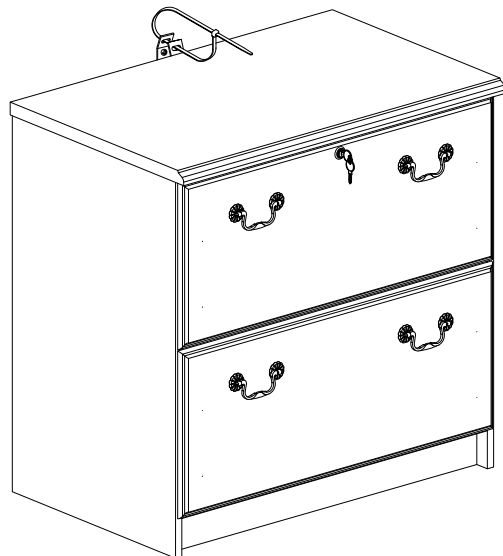
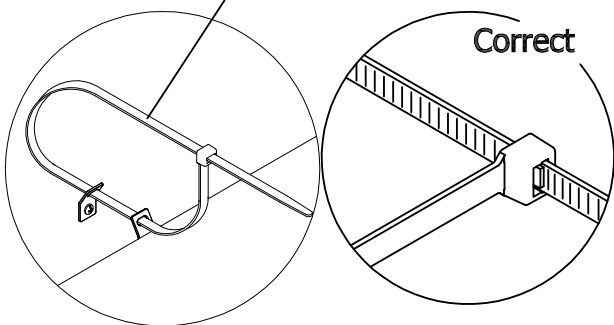
U₅ x 1pc



Nylon Cable Tie

Pull to verify lock

Correct



Maximum weight capacities

